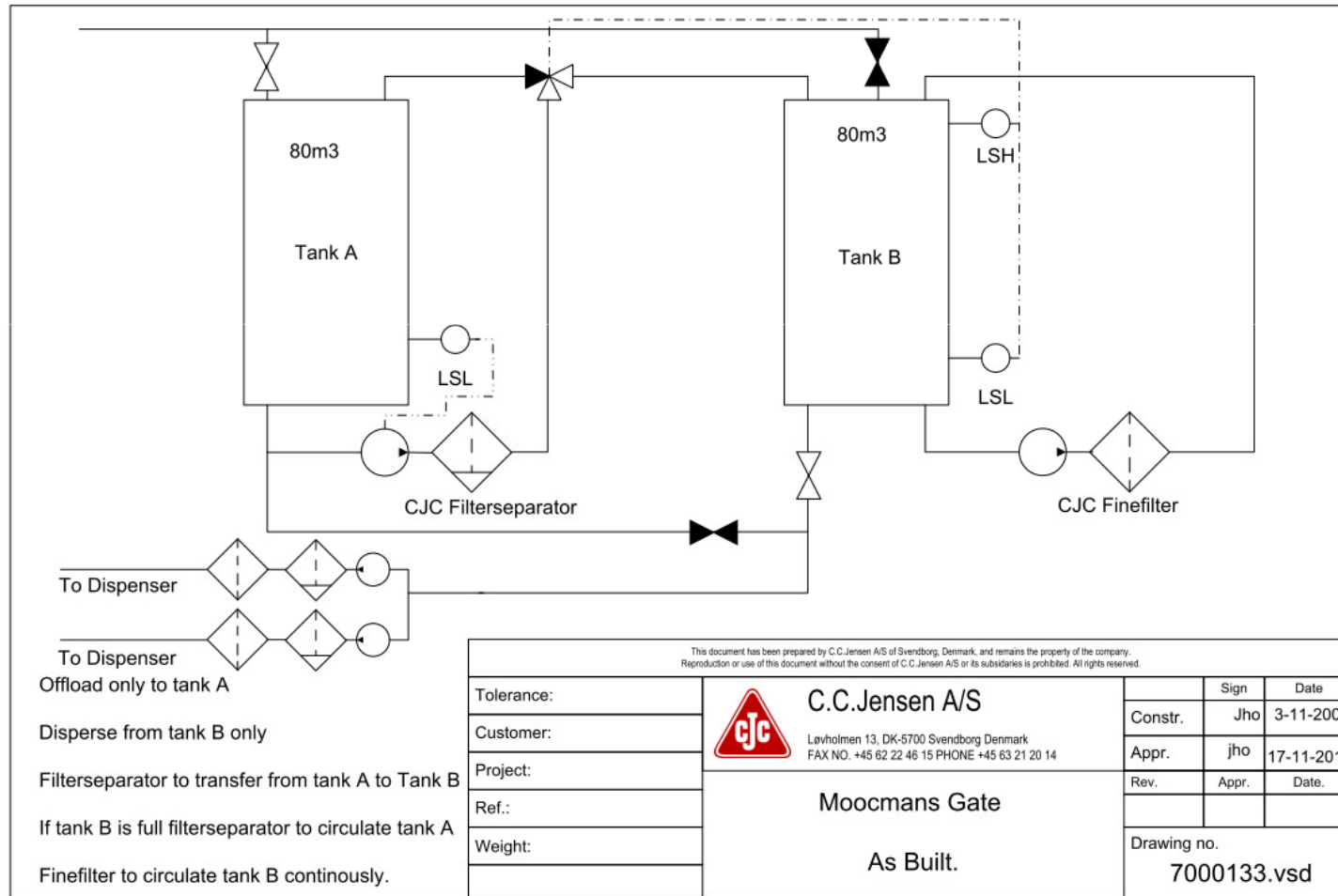


Diesel Bulk Oil Filtration

Anglo Gold Ashanti
Sadiola Mine
Mali



Set-up Moolmans Gate

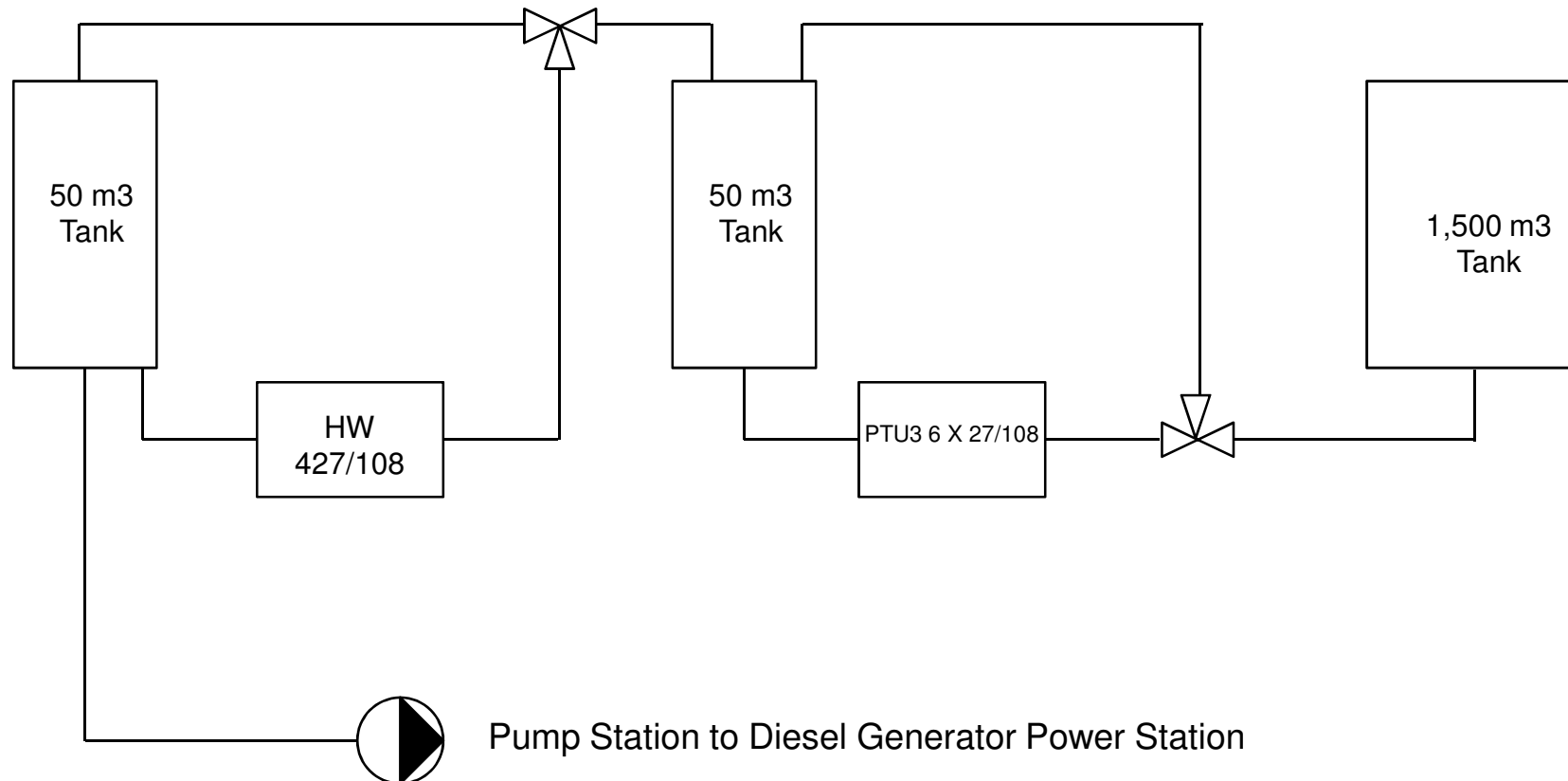


This document has been prepared by C.C.Jensen A/S of Svendborg, Denmark, and remains the property of the company. Reproduction or use of this document without the consent of C.C.Jensen A/S or its subsidiaries is prohibited. All rights reserved.

Tolerance:	C.C.Jensen A/S Løvholmen 13, DK-5700 Svendborg Denmark FAX NO. +45 62 22 46 15 PHONE +45 63 21 20 14	Sign	Date	
Customer:		Constr.	Jho 3-11-2009	
Project:		Appr.	jho 17-11-2010	
Ref.:		Rev.	Appr.	Date.
Weight:				
Moolmans Gate		Drawing no.		
As Built.		7000133.vsd		



Set-up Gapmos Main Depot





Diesel Bulk Oil Filtration – Filters Installed

1 x PTU3 3x27/108 GP-E2PTW

CJC Filter Separator
Drain tank mounted
Pressure Switch: setting TBA
Leak detection
Aut. Water Discharge
Filter Insert: 12 x F 27/27
Pump : GP33-4 (2600 l/h)
Motor: 3-phase
Electric control box
Aut. Air Vent Valve CJC

1 x CJC 6-stay Filter Separator

Drain Tank with leak protection
Unit mounted with lifting ears
Filter insert 24 x F 27/27
Sealing: Nitrile
Pump: GP 41-4 (5200 l/h)
Motor: 3 phase, 6 poled 400v 50Hz
Electrical controlbox
Pressure Switch : Settings TBA
Aut. Water Discharger
CJC Aut.Air Vent
Inlet/outlet DN40

2 x HW 427/108 GP-E2PT

CJC Fine Filter
Filter Insert: 8 x BLA 2x27/27
Pump : GP51-4 (11500l/h)
Motor: 3-phase
Pressure switch: Setting TBA
Leak detection
Electric control box
Drain tank
3x400V, 50Hz.



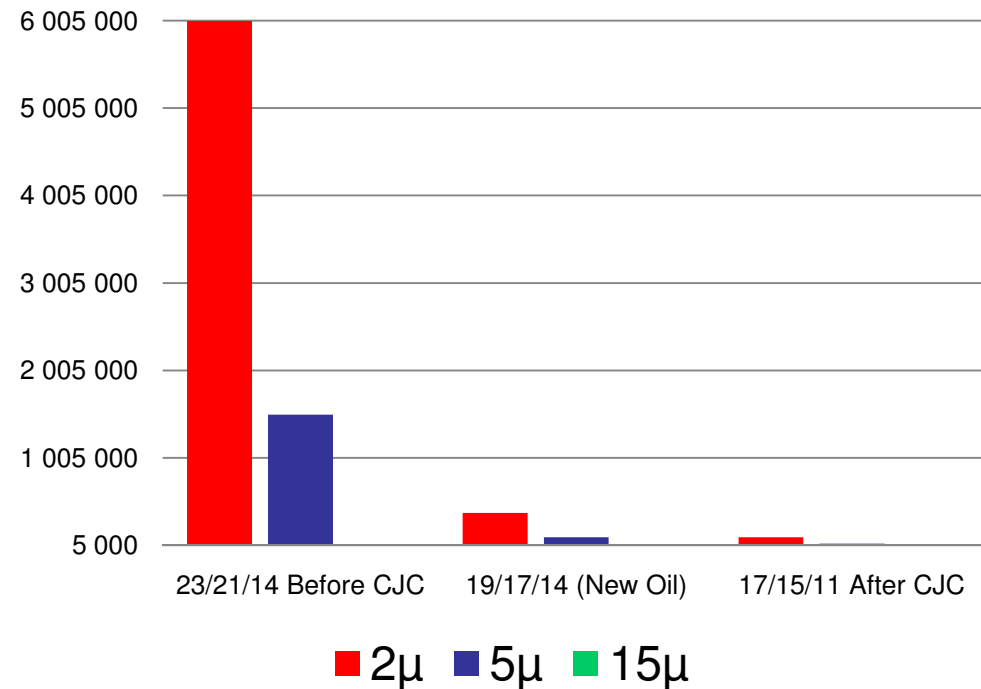


Oil Analysis Results

Number of Particles
Before & After CJC Filtration

Diesel oil sample before
CJC Filter Installation
23/21/14

Diesel oil sample after
CJC Filter Installation
17/15/11



Caterpillar requirements 18/16/13